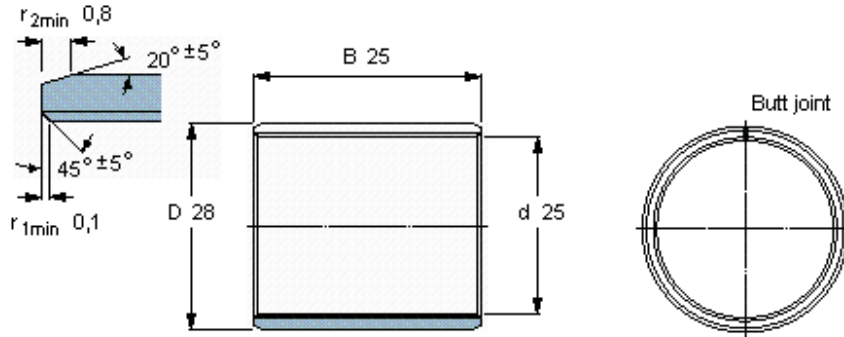


Composite dry sliding bushings, metric dimensions

Principal dimensions			Basic load ratings		Mass	Designation
d	D	B	dynamic C	static C0	kg	-
mm			kN			
<b>25</b>	28	25	48	150	0,023	PCM 252825 E



**Specific load factor**  
**Material constant**

K 80  
 $K_M$  480